



INTRODUCING DWCRT
DRAWWORKS
CASING RUNNING TOOLS
4-1/2 TO 26" SIZES

140 TO 1000 TON RATINGS

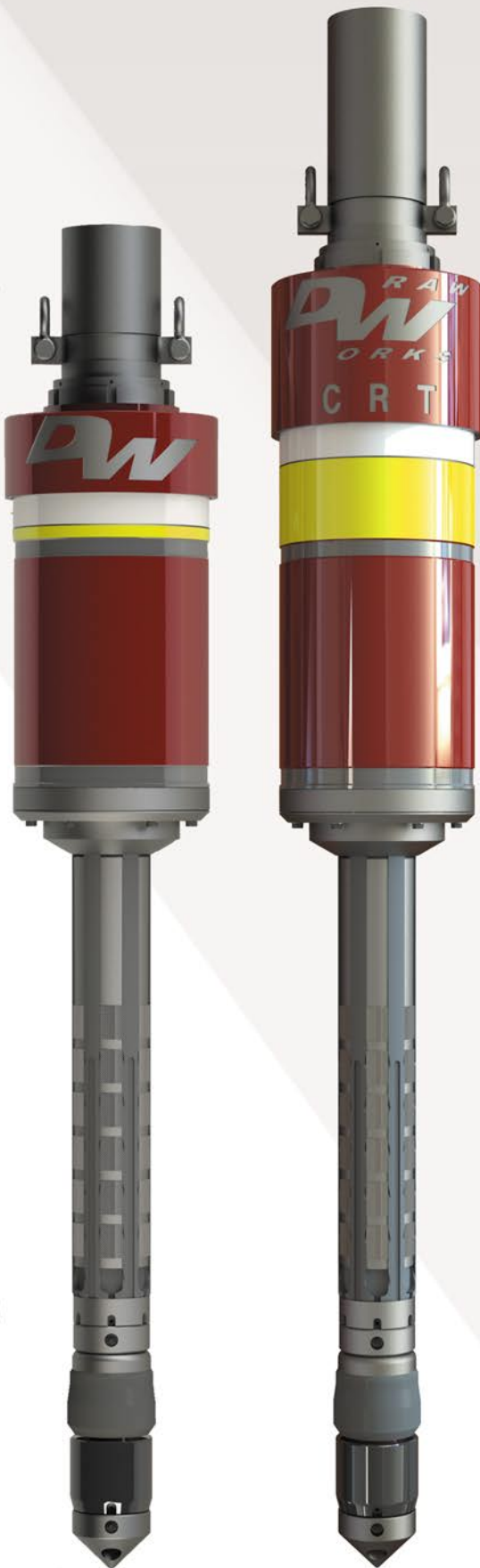


The DrawWorks Casing Running Tool (DWCRT)

The DWCRT represents a new family of casing running tools.

These mechanically operated tools are both simple to operate and simple to maintain. The DrawWorks Casing Running Tool (DWCRT) was developed to make-up, rotate, reciprocate, fill, take flow-back, circulate and drill while running casing with a top drive. The DWCRT is designed to pick up, screw and torque the casing up to the string and run the string into the well while enabling rotating, reciprocating and circulating operations to be conducted on-the-fly. The DWCRT reduces the tools and men needed to run casing compared to conventional techniques. The DWCRT allows the operator to reciprocate, rotate, and circulate simultaneously to help improve efficiency when running casing.

The built-in compensator allows casing travel during thread make-up. The tool's locking mechanism allows the tool to be set and released with minimal torque and eliminates the need for any top drive set-down weight. One actuator head is used for 4-1/2"-20" casing with some configurations having as few as 50 parts. The modular design provides maximum versatility while keeping operating cost and inventory low. These key features make the DWCRT the most versatile CRT on the market.



7" 450 Ton

7" 450 Ton

Now offering a shorter Head Assembly. The "DWCRT SHORTY".

Features

Benefits

Overall Design

Easy assembly, easy maintenance, and easy operation

Built-In Compensator

Thread compensated during make-up
No set-down weight to activate slips

Locking Mechanism

High casing make-up torque
Low slip break-out torque

Setting Mechanism

Low torque to set slips
High slip setting force
Large gripping range per slip

Large Gripping Area

Higher load rating
Less casing damage

Modular Design

Same Head Assembly used for different casing sizes results in fewer tools purchased for your fleet

Basic Operation of DWCRT

The DWCRT has Two Positions Locked and Unlocked.

Locked Position

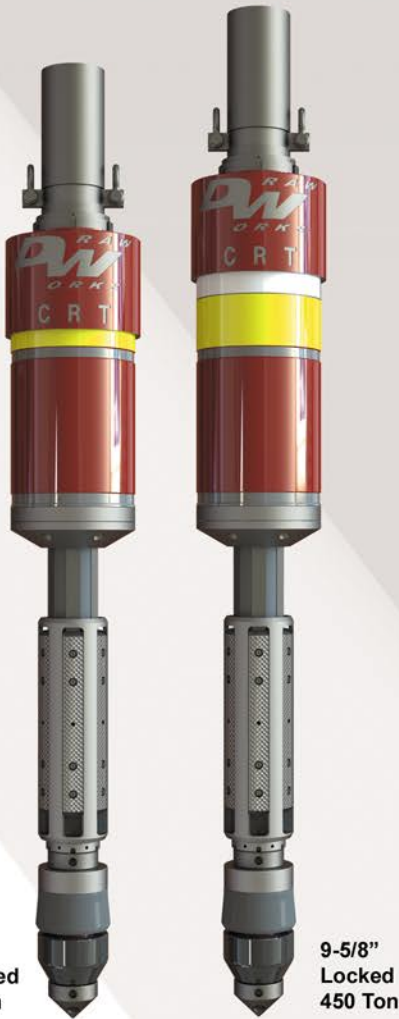
(There is white showing below the Indicator)

When the tool is in the Locked Position it can be Rotated to the left or the right. The Slips will not extend or retract when the tool is in the locked position.

Unlocked Position

(There is no white below the indicator, the Indicator should be kept in the yellow area)

When the tool is in the un-locked position, the slips can be extended or retracted. By rotating to the right in the un-locked position, the slips will extend to grip the pipe. When rotating to the left in the unlocked position the slips will retract to release the pipe.

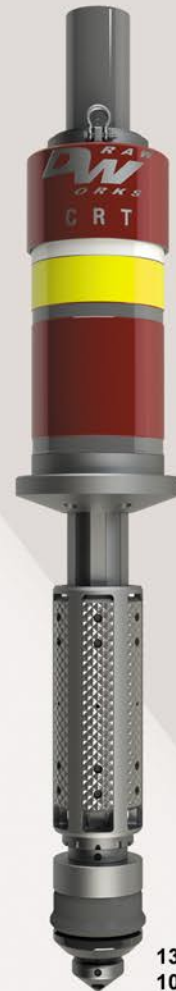


DWCRT 140T - 450T Tool				
CASING	RANGE	TONS	FT/LB	OAL
4-1/2"	9.5 - 15.10 #	140	13,000	8.6'
5"	15 - 23.2 #	160	15,000	8.6'
5-1/2"	15.5 - 26 #	225	25,000	8.9'
5-1/2"	15.5 - 23 #	255	25,000	8.9'
5-1/2"	20 - 23 #	300	30,000	8.9'
6"	20 - 24.5 #	430	30,000	9'
6-5/8"	20 - 36.7 #	370	50,000	9.6'
7"	17 - 35 #	450	65,000	9.6'
7-5/8"	24 - 42.8 #	450	65,000	9.6'
8-5/8"	24 - 44 #	450	65,000	9.7'
9-5/8"	36 - 59.4 #	450	65,000	9.7'
10-3/4"	40.5 - 60.7 #	450	65,000	9.7'
11-3/4"	47 - 71 #	450	65,000	9.7'
13-3/8"	54.4 - 85 #	450	65,000	9.7'
16"	65 - 109 #	450	65,000	10'
16-3/4"	65 - 109#	450	65,000	10'
18-5/8"	87.5 - 117#	450	65,000	10'
20"	94 - 133#	450	65,000	10'

9-5/8"
Unlocked
450 Ton

9-5/8"
Locked
450 Ton

DWCRT 1000T Tool				
CASING	RANGE	TONS	FT/LB	OAL
7"	17 - 35	450	65,000	10'
7-5/8"	34 - 55 #	500	65,000	10'
8-5/8"	34 - 55 #	750	65,000	10'
9-5/8"	36 - 59.4 #	1,000	100,000	10'
10-3/4"	40.5 - 60.7 #	1,000	100,000	10'
11-3/4"	47 - 71 #	1,000	100,000	10'
13-3/8"	54.4 - 85 #	1,000	100,000	10'
16"	65 - 109 #	1,000	100,000	10'
16-3/4"	65 - 109 #	1,000	100,000	10'
18-5/8"	87.5 - 117 #	1,000	100,000	10'
20"	94 - 133 #	1,000	100,000	10'
22"	170 - 224 #	1,000	100,000	10'
24"	171 - 216 #	1,000	100,000	10'
26"	202 - 275 #	1,000	100,000	10'



13-3/8"
1000 Ton

MODULAR DESIGN DWCRT from DrawWorks



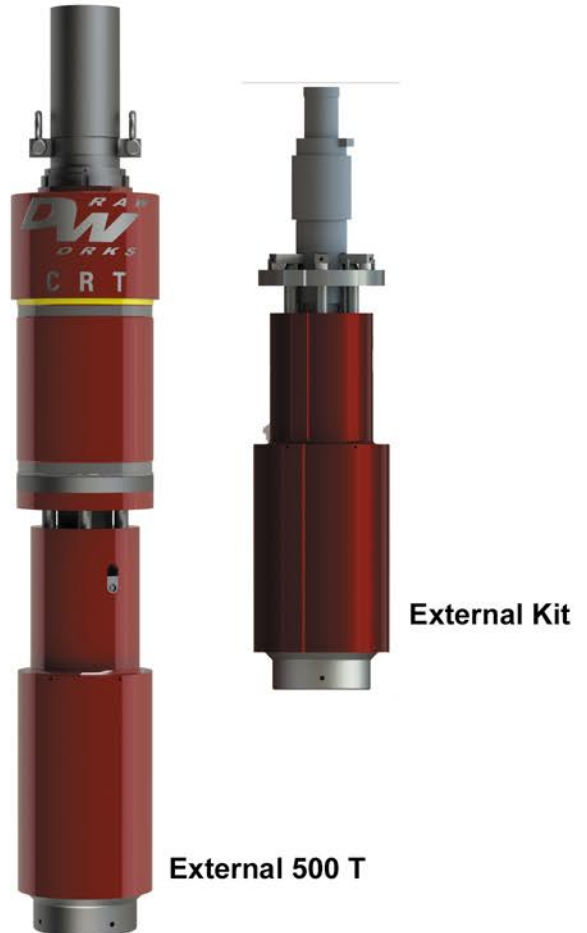
- HOUSING
- 450T
20"
- 450 Tons
13-3/8"
- 450 Tons
7"
- 225 Tons
5-1/2"
- 140 Tons
4-1/2"

"The actual use of the DWCRT was a lot more robust and the drillers caught on to the running procedure rather quickly. The tool performed without any flaws and myself as well as everyone else are pleased to continue using the DWCRT in future casing runs. DrawWorks was willing to sit down and help with ways of trying to improve on efficiency moving forward. I, personally am looking forward to the success of this tool and the improved efficiency that it will bring to our operations."

Kyle Ard
Drill Site Manager Trident 8
Drilling and Completions, Chevron Nigeria Limited

Specifications for External CRT

- Tension Rating: 500 Ton
- Torsional Rating: 50K ft-lb to 65K ft-lbs
- Max Coupling Length: 15.4"
- Max Coupling OD: Casing Diameter + 1.5"
- OAL Tool Length: 9.8 feet
- Tool Weight: 3300 lbs
- Tool OD: 16"
- Turns to Set: 2.5
- Flow Rate: 12 bbl/min Max Pressure: 10,000 PSI



ISO 9001:2015
CERTIFIED